

5

10

15

20

25

PRODUCT NAME : HK-8176-596-2

1. SPECIFICATION :

- 1.SENSOR SIZE
- 2.WAVELENGTH
- 3.FOCAL LENGTH (EFL)
- 4.F/NO (INFINITE)
- 5.BACK FOCAL LENGTH
- 6.FLANGE BACK LENGTH
- 7.FIELD OF VIEW
- 8.TV DISTORTION (DIAGONAL)
- 9.Thread Size
- 10.Element

1/3"

$\lambda = 400 \sim 650 \text{NM}$

$f = 1.7 \text{ mm}$

$F/NO = 2.5$

$BFL = 4.67 \text{ mm}$

$FB = 4.09 \text{ mm}$

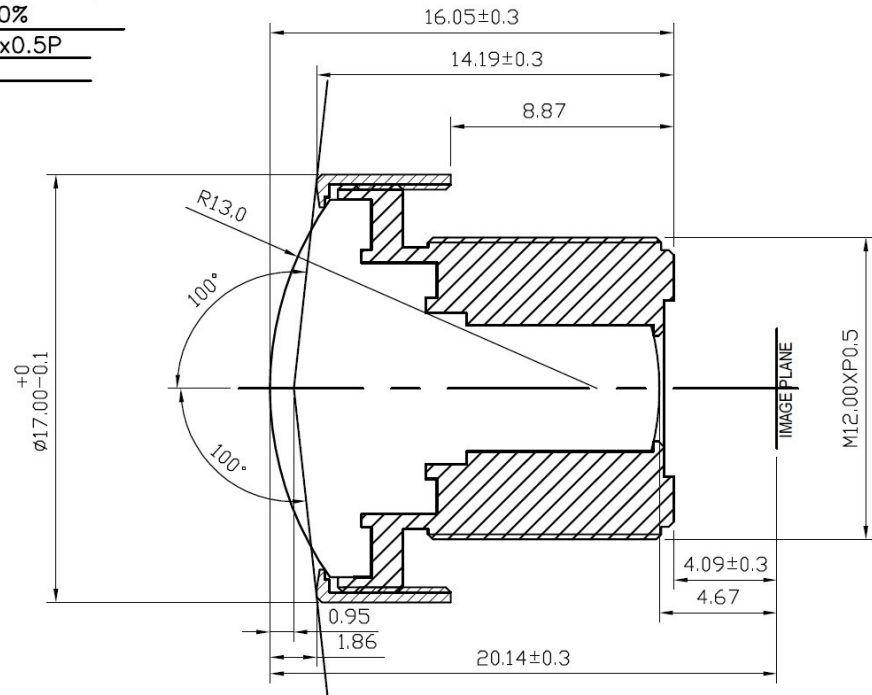
$D = 200^\circ \pm 10^\circ$ $H = 180^\circ \pm 8^\circ$ $V = 130^\circ \pm 5^\circ$

$< -120\%$

M12x0.5P

6G

2. OPTICAL LAYOUT :
scale 1 : 1



REV	DESCRIPTION	DATE	NAME	NAME	HK-8176-596-2	SCALE	4:1	DRAWN	
①				VIEW	☐ ⊙ REV OO	DATE	2014.7.15	CHECKED	
②						BORDER	A4	APPROVED	
③									
④									

5

10

15

20

25